



KOMPATTO 104
TECHNICAL SPECIFICATION

KOMPATTO 104

The KOMPATTO 104 is an affordable entry level screen ideally suited for small to medium sized operators and contractors who require a versatile product capable of operating in a number of applications such as sand and gravel, aggregates and recycling. With its rapid set up time, ease of operation and features such as A high performance double deck screen box and TWO hydraulically folding stockpile conveyors as standard, this really is an excellent solution for a variety of applications with capacity of up to 250tph.

1. SCREENBOX
2. FEEDER
3. FINESIZE SIDE CONVEYOR
4. MIDSIZE SIDE CONVEYOR
5. OVERSIZE FRONT CONVEYOR
6. POWERUNIT
7. CONTROL SYSTEM
8. TRACKS -CHASSIS



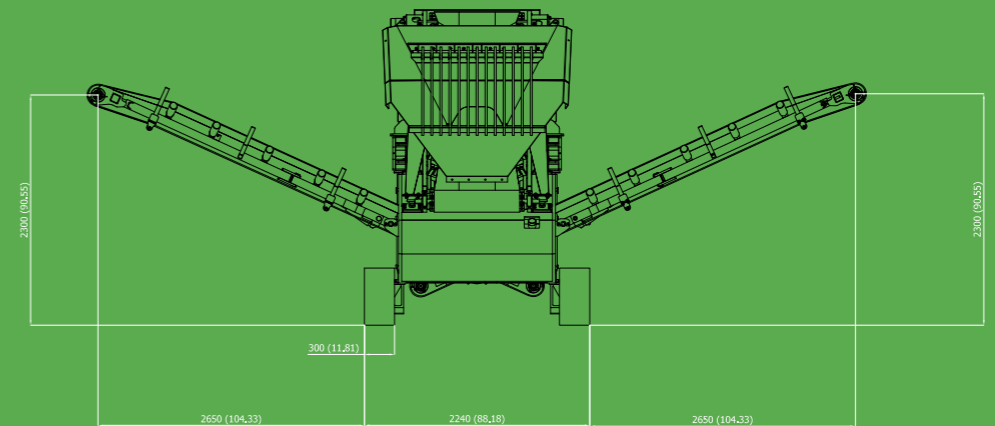
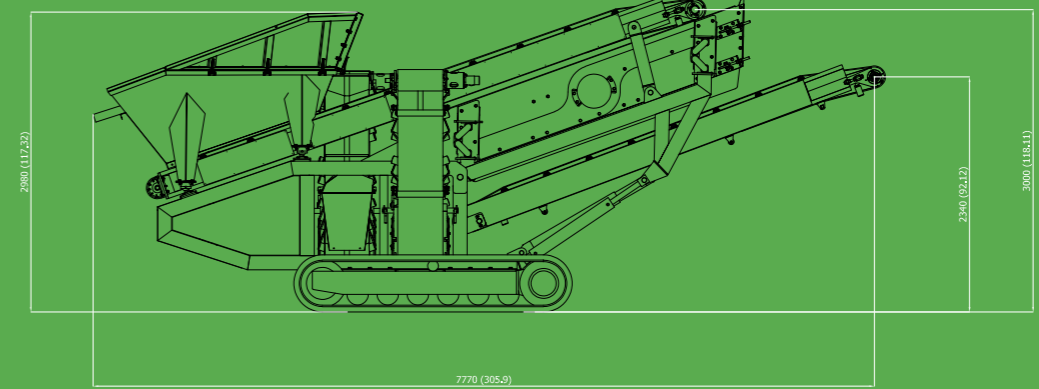
SCREENER

TECHNICAL DATA

HOPPER & GRID	FEEDER / MAIN CONVEYOR	SCREENBOX	FINESIZE CONVEYORS	MIDSIZE & OVERSIZE SIDE CONVEYORS	POWERUNIT	PERFORMANCE
<p>Dimensions 800x2200mm (71x86")</p> <p>Grid aperture 100mm (4")</p> <p>Capacity 2,5m³</p>	<p>800mm (31")3ply belt Supergrip system with 2 hydraulics motor</p> <p>Variable speed control</p>	<p>3000x1200 (10x4) 2 Bearing shaft End tensioned deck</p>	<p>800Mm (31)wide belt Hydraulic folding 2200 Mm (86")</p>	<p>400Mm wide chevron belt Hydraulic folding 1800mm (75")</p>	<p>POWER 36KW/47HP DIESEL ENGINE</p> <p>Cooling Water</p>	<p>Production Up to 200 tph / 220 us tph</p> <p>Standard weight 7000kgs (15.432Lbs)</p>



TRANSPORT DIMENSION & WORKING DIMENSION



STANDARD MACHINE

- Remote control
- Supergrip system

ACCESSORIES

- Wide range of screen media
- Vibrator on the hopper



